

RVision, Inc.

BigFoot™ & QuickConnect™

Quick-Connect™ Shoe Mounting

The Quick-Connect™ (QC) slides into a mounting Shoe for quick mechanical retention and electrical connection of the camera. A quick-release button allows for easy removal of the camera from the mount. Locking screw allows for more secure attachment of the camera. The Shoe may be mounted with four screws passed through the Shoe to a mounting surface below, or attached to a standard tripod thread.

Quick-Connect™ is available only on the 2G-HP SEE™, m3G-HP™, and Dual-HP family of RVision cameras.

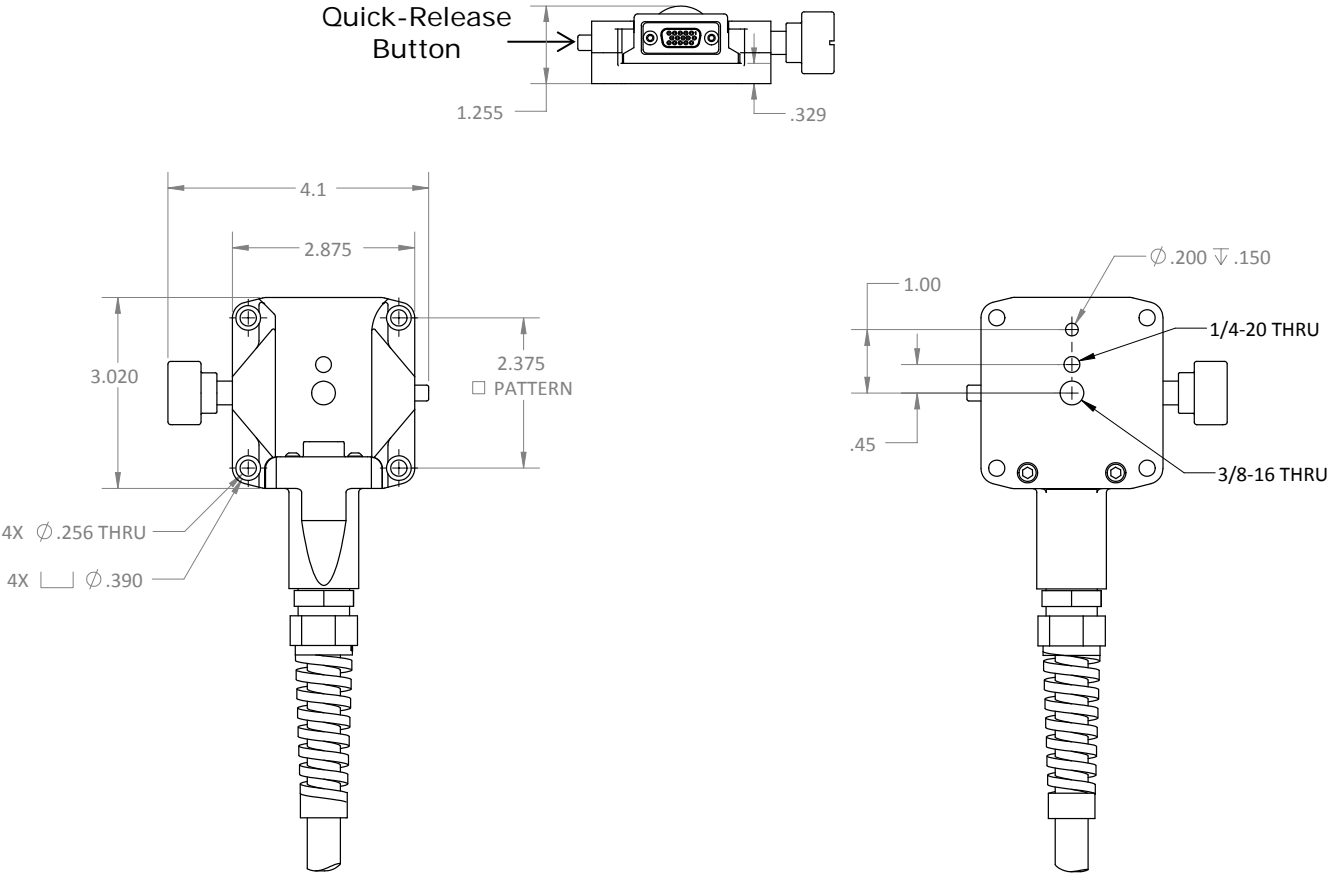


Figure 1: QuickConnect™ Cable Dimensions

Bigfoot™ Shoe Mounting

The Bigfoot™ slides into a mounting Shoe for quick mechanical retention of the camera. A quick-release button allows for easy removal of the camera from the mount. Locking screw allows for more secure attachment of the camera. The Shoe may be mounted with four screws passed through the Shoe to a mounting surface below, or attached to a standard tripod thread.

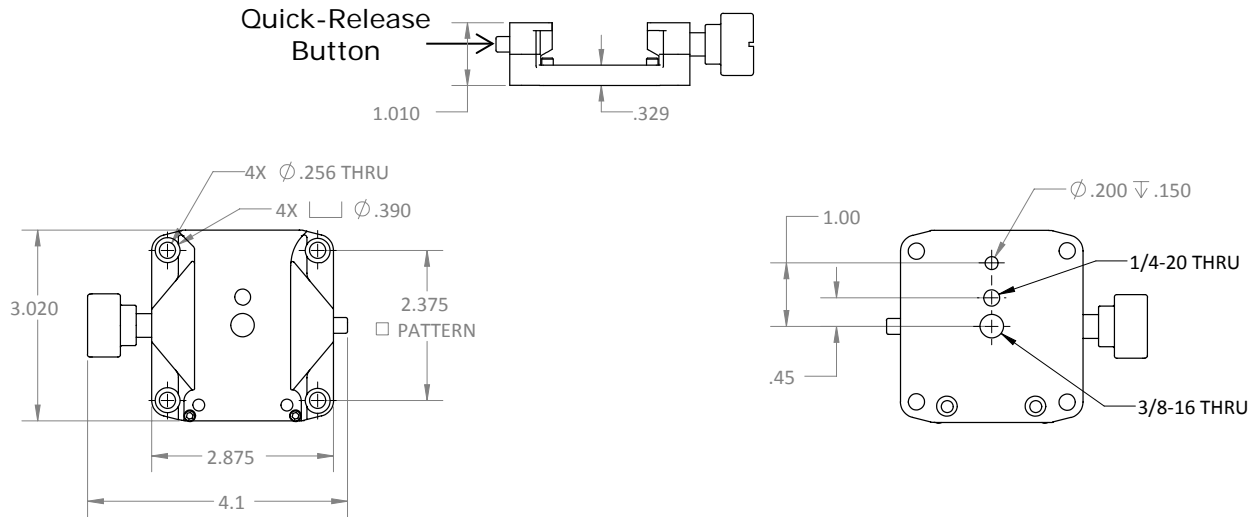
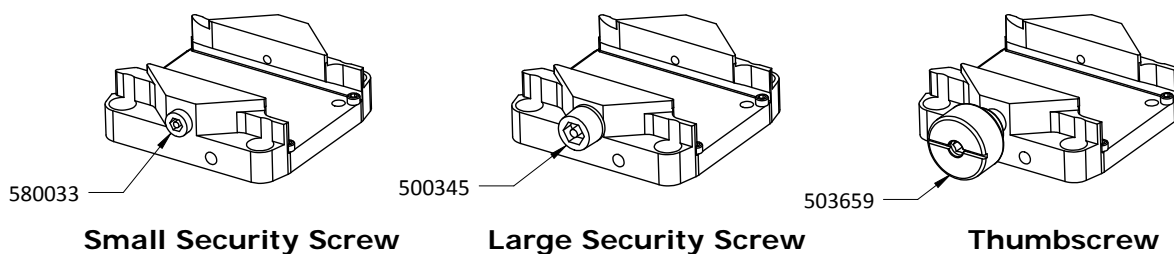


Figure 2: BigFoot™ Mount Dimensions

Locking Screw Options

A variety of locking knobs are available for additional security of mounting. These locking knobs are compatible with both Bigfoot™ & QuickConnect™ products.



- Small Security Hex Lock-Screw (580003): Basic tamper resistance in normal outdoor environments. Uses 3/16" Tamper Hex Tool (RV P/N 480001).
- Large Security Hex Lock-Screw (500345): Basic tamper resistance in harsh outdoor environments; use at oceanside or if large amounts of debris buildup are expected (preferred for Bigfoot™ installations). Uses 5/16" Tamper Hex Tool (RV P/N 480007).
- Thumbscrew (503659): Thumbscrew for quick, tool-free attachment and removal of the PTZ. Integrated standard hex screw if more tightening torque is required. Option to use flat screwdriver or 3/16" Tamper Hex Tool (RV P/N 480001).