

Carbide™ 75

Pan/Tilt

RVision

2016 Data Sheet

Product Overview

The C75 is a pan and tilt system with the ability to carry a maximum of 37.5 lb. payloads on each side of the motor assembly. This allows for the RVision T200-5M and -10M pressurized housings as well as third party sensors to be attached using static mounting arms or our quick release arms (shown in image below).

RVision offers a host of accessories to fit cameras, thermal imagers, bore-sight adapters, and laser sensors to the overall sensor suite. The C75 has a pedestal with three Mil-Spec ports that allow sensors to pass command and control through the pan/tilt.

Another version is available with a single Mil-Spec port, used when RVision interprets and distributes all incoming signals. There are two extended tilt arms with Mil-Spec connectors on each side of the pan/tilt.

The C75 has a patent pending pan-through axle that allows sensors such as articulated ground-based surveillance radar to be integrated atop the pan/tilt unit. Multiple brackets and sensor accessories are available and an eyebolt resides on top of the motor assembly for easy lifting with machinery.

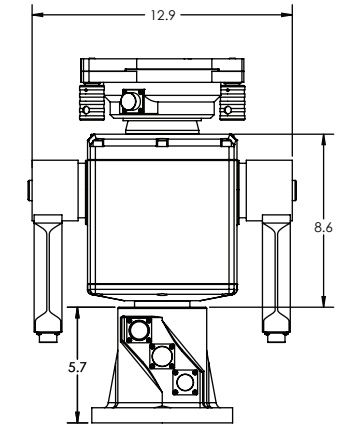


Pan Angle Range	365°
Tilt Angle Range	90°
Max Pan Speed	25°/s
Max Tilt Speed	25°/s
Min Pan Speed	0.068°/s
Min Tilt Speed	0.078°/s
Pan Resolution	0.0036°
Tilt Resolution	0.0041°
Pan Torque	30 Newton Meters
Tilt Torque	30 Newton Meters
Power Draw, no heaters	Power On Peak 12.0 W
	Starting - no motion 12.0 W
	All Motors Moving 48.0 W
Presets	100
Weight	50 lbs.
Housing Material	Aluminum
Voltage	22-26VDC
Operating Temperature	-15°C to +40°C, -40°C optional
Storage Temperature	-40°C to +75°C
Mounting	4 Thru Bolts, Pedestal

For further information please contact:

3033 Fifth Ave, Suite 400
San Diego, CA 92103
T. 619.233.1403
F. 619.233.1423

Standard Arms



QuickConnect™ Arms

